

040-0300
Non-Metallic
Push Button Handle



This handle was specifically designed for off-highway vehicle applications that require a surface mounted exterior push button handle. It offers robust construction and ergonomic function in a rugged engineering grade plastic.

- Off-highway applications -- construction, mining, agricultural
- Outside latch release

FEATURES/BENEFITS:

- Friction less push button seal
- Flow through self-cleaning design
- Readily adaptable to a variety of door thicknesses with a 1/4" adjustable diameter cap screw
- Mounts against glass with only two holes (see next page)
- Available keyed alike or keyed random

Global Locations:

TriMark Corporation
500 Bailey Avenue
P.O. Box 350
New Hampton, Iowa 50659
United States
Tel: 641-394-3188
Fax: 641-394-2392
1-800-447-0343
www.trimarkcorp.com

TriMark Europe
Cedar Court
Walker road
Bardon Hill
Coalville LE67 1TU
United Kingdom
Tel: +44(0)1530 512460
Fax: +44(0)1530 512461
www.trimarkeu.com

TriMark (Xuzhou)
Building A5 Jingwu Road
Xuzhou Economic
Development Zone
Xuzhou, Jiangsu
221004 PR China
Tel: +86 516 8773 0018
Fax: +86 516 8773 0058
www.trimarkcn.com



TriMark. Interactive. Product. Selector



MATERIAL:

- Glass reinforced nylon
- Brass threaded inserts

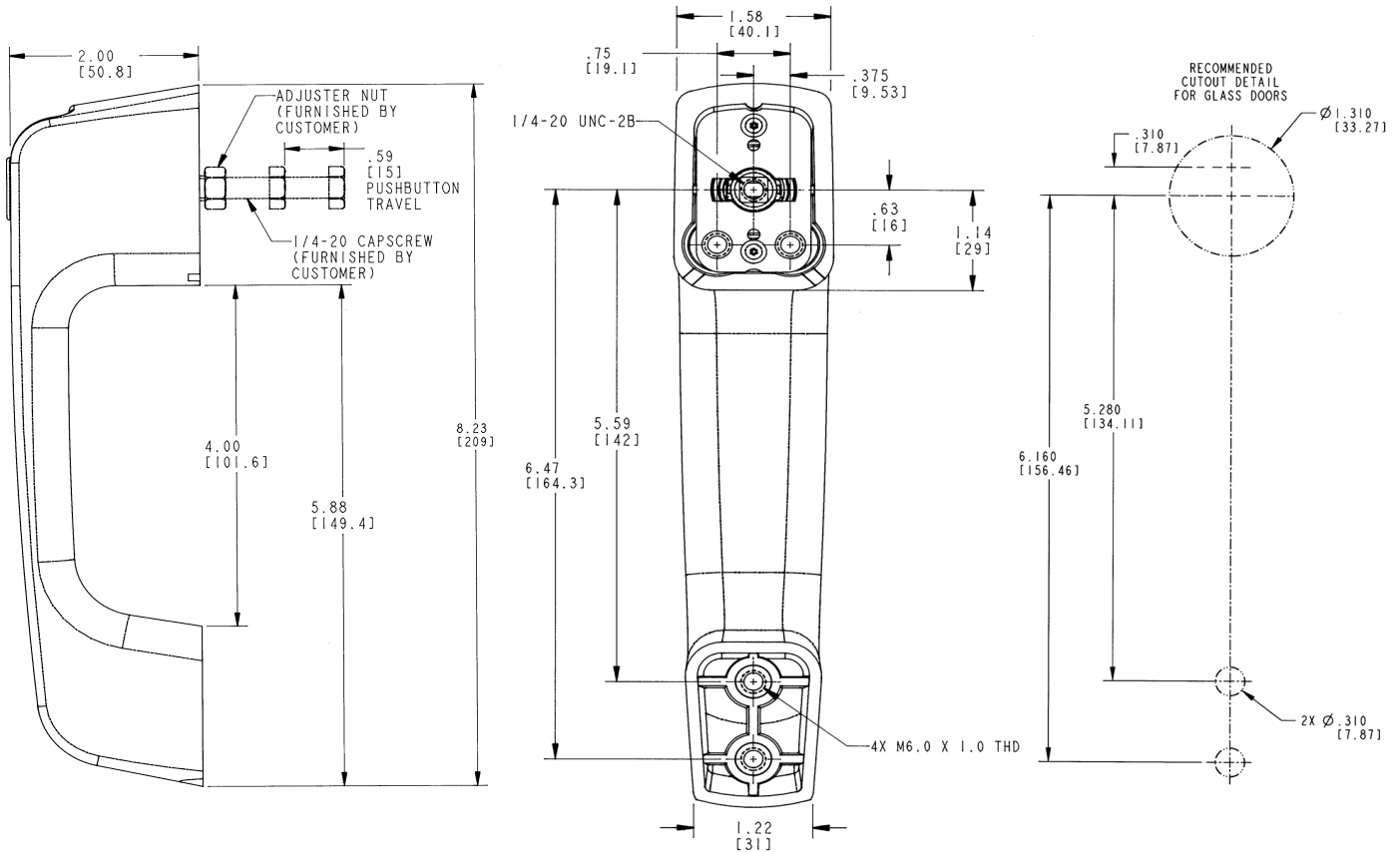
INSTALLATION:

- Installed with (3) M6 x 1 bolts (not included)
- Recommended mounting fastener torque to be 5.6-6.7 N-m (50-59 lbf-in)

CAUTION: Product does not meet the locking requirements for FMVSS 206 (ECE R11).

Individual part dimensions are for reference only. Refer to individual part drawings for complete dimensions, specifications, and installation procedures. Engineering assistance and application drawings are available.

For more information visit
www.trimarkcorp.com



When integrated with an inside hand rail this inertia resistant latch is both convenient to operate and protected from accidental release.

